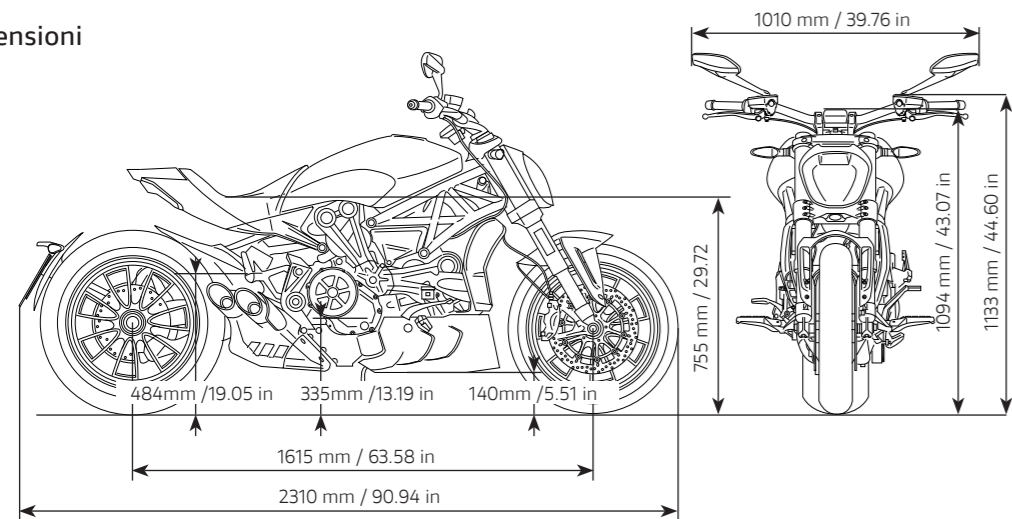
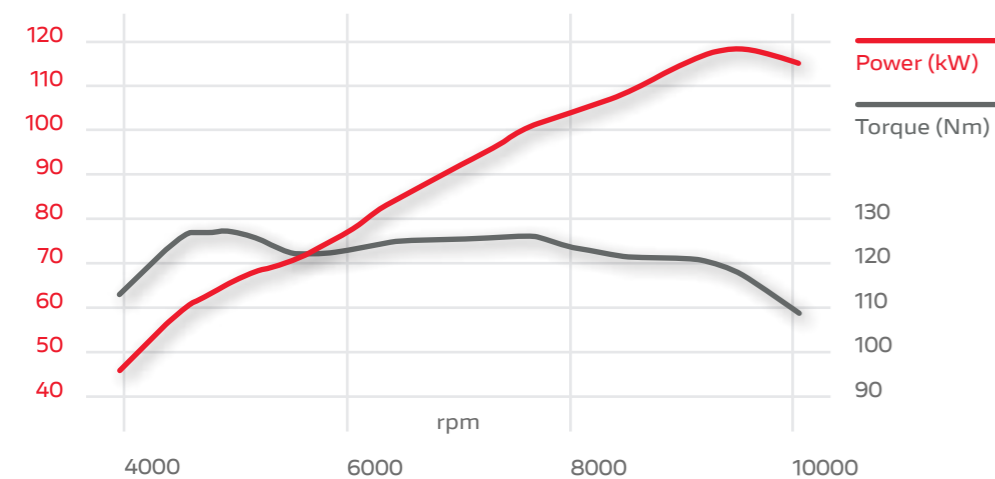


XDIAVEL DARK

Dimensioni



Power / Torque*



Engine

Engine	Testastretta DVT 1262, V2 - 90°, 4 valves per cylinder, Desmodromic Variable Timing, Dual Spark, liquid cooled
Displacement	1,262 cc (77.0 cu in)
Bore x stroke	106 mm x 71.5 mm
Compression ratio	13.0:1
Power	160 hp (118 kW) @ 9,500 rpm* 152 hp (112 kW) @ 9,500 rpm
Torque	13.0 kgm (127 Nm, 93.7 lb ft) @ 5,000 rpm* 12.8 kgm (126 Nm, 92.9 lb ft) @ 5,000 rpm
Fuel injection	Electronic fuel injection system, Øeq 56 mm elliptical throttle bodies with Ride-by-Wire system
Exhaust	Stainless steel muffler, catalytic converter and 2 lambda probes

Transmission

Gearbox	6 speed
Primary drive	Straight cut gears, ratio 1.84:1
ratio and gear	1=37/15 2=30/17 3=27/20 4=24/22 5=23/24 6=22/25
Final Drive	Belt, front sprocket z28, rear sprocket z80
Clutch	Slipper and self-servo wet multiplate clutch with hydraulic control

Chassis

frame	Tubular steel trellis frame
front suspension	Adjustable Ø 50 mm usd fork
front wheel	Light alloy, cast, 3.5"x17"
front tyre	Pirelli Diablo Rosso III 120/70 ZR17
rear suspension	Preload and rebound adjustable monoshock, remote reservoir, single-sided cast/trellis frame swingarm
rear wheel	Light alloy, cast, 8.0" x 17"
rear tyre	Pirelli Diablo Rosso III 240/45 ZR17
wheel travel (front/rear)	120 mm / 110 mm (4.7 in / 4.3 in)
front brake	2 x Ø 320 mm semifloating discs, radial mounted Brembo monobloc 4-piston M4.32 callipers, PR18/19 radial master cylinder, Cornering ABS
rear brake	Ø 265 mm disc, Brembo 2-piston floating calliper, Cornering ABS
Instrumentation	3.5" TFT colour display and dedicated warning light display

Dimensions and weight

dry weight	221 kg (487 lb)
Kerb weight	247 kg (545 lb)
Seat height	755 mm (29.7 in)
Wheelbase	1,615 mm (63.6 in)
rake	30°
trail	130 mm (5.1 in)
Fuel tank capacity	18 l (4.8 US gal)
Number of seats	2

Safety equipment

Riding Modes, Power Modes, Cornering ABS, Ducati Traction Control, full-LED lighting system**

Standard equipment

Ducati Power Launch, Cruise control, Hands-free, backlit handlebar switches, 3.5" TFT colour display

Warranty and Maintenance

Warranty	24 months, unlimited mileage
Maintenance	15,000 km (9,000 mi) / 12 months
Valve clearance check	30,000 km (18,000 mi)

Emissions and Consumption*

Standard	Euro 5
CO2 Emissions	129 g/km
Consumption	5.5 l/100 km



Equal to 18,000 miles

Indication of mileage at the first Desmo Service, or rather the first service during which valve clearance is checked and adjusted if necessary.

* Only for countries where Euro 5 standard applies.

** Please check with your dealer feature availability.