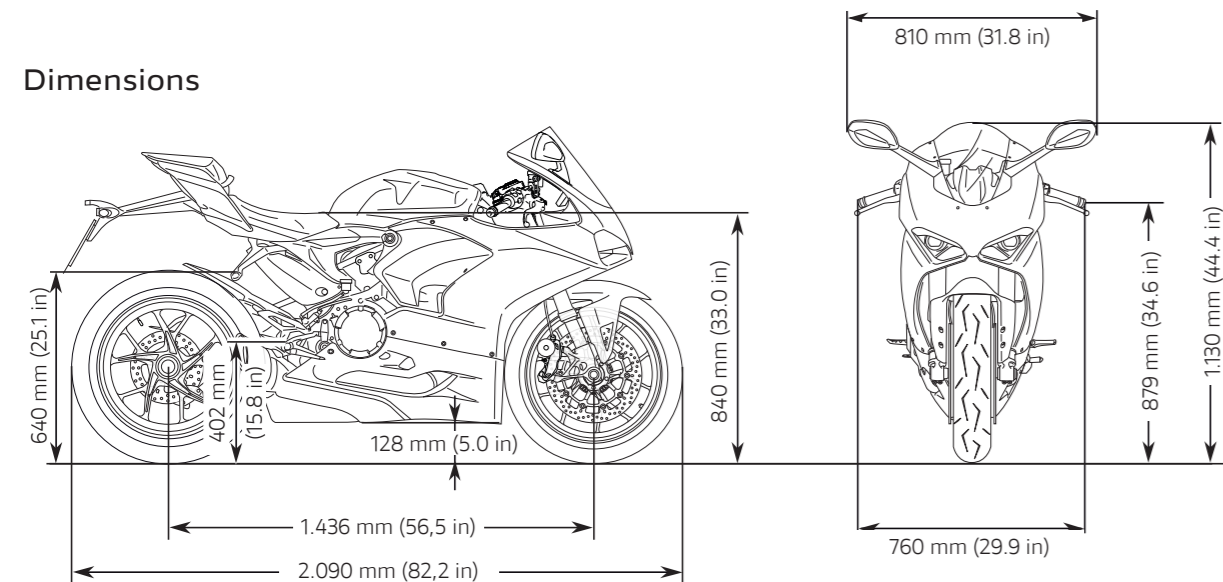
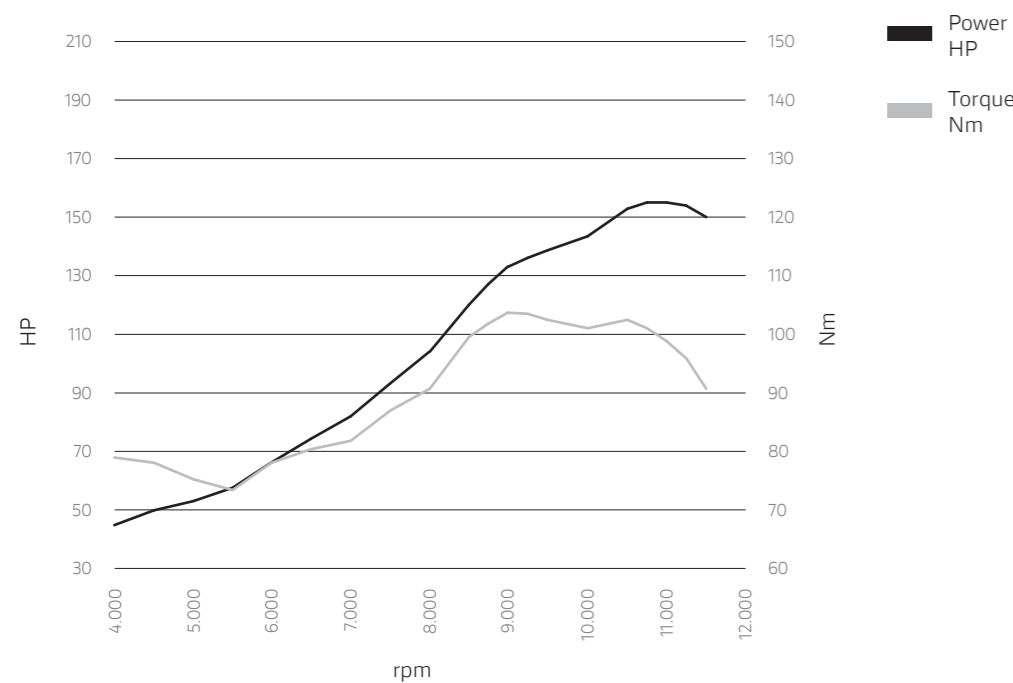


PANIGALE V2

Dimensions



Curve di torque / power



Engine

Engine Superquadro: L-twin cylinder, 4 valve per cylinder, Desmodromic, liquid cooled

Displacement 955 cc

Bore X stroke 100 x 60,8 mm (3.4 x 2.4 in)

Compression ratio 12.5:1

Power 155 HP (114 kW) @ 10,750 rpm

Torque 76.7 lb-ft (104 Nm) @ 9,000 rpm

Fuel injection Electronic fuel injection system. Twin injectors per cylinder. Full ride-by-wire elliptical throttle bodies

Exhaust 2-1-2-1 system, with 2 catalytic converters and 2 lambda probes

Transmission

Gearbox 6 speed with Ducati Quick Shift (DQS) up/down EVO 2

Primary drive Straight cut gears; Ratio 1.77:1

Ratio 1=37/15 2=30/16 3=27/18 4=25/20 5=24/22 6=23/24

Final drive Chain; Front sprocket 15; Rear sprocket 43

Clutch Hydraulically controlled slipper and self-servo wet multiplate clutch

Chassis

Frame Monocoque Aluminium

Front suspension Fully adjustable Showa BPF fork. 43 mm chromed inner tubes

Front wheel 5-spokes light alloy 3.50" x 17"

Front tyre Pirelli Diablo Rosso Corsa II 120/70 ZR17

Rear Suspension Fully adjustable Sachs unit. Aluminum single-sided swingarm

Rear Wheel 5-spokes light alloy 5.50" x 17"

Rear tyre Pirelli Diablo Rosso Corsa II 180/60 ZR17

Wheel travel (front/rear) 120 mm (4.72 in) - 130 mm (5.12 in)

Front brake 2 x 320 mm semi-floating discs, radially mounted Brembo Monobloc M4.32 4-piston callipers with Bosch Cornering ABS EVO

Rear brake 245 mm disc, 2-piston calliper with Bosch Cornering ABS EVO

Instrumentation Digital unit with 4.3" TFT colour display

Dimensions and Weights

Dry weight / ABS version 176 kg (388 lb)

Kerb weight / ABS version 200 kg (441 lb)

Seat height 840 mm (33.1 in)

Wheelbase 1.436 mm (56.5 in)

Rake 24°

Front wheel trail 94 mm (3.70 in)

Fuel tank capacity 17 l - 4.5 gallon (US)

Number of seats Dual seat

Safety equipment

Riding Modes, Power Modes, Bosch Cornering ABS EVO, Ducati Traction Control (DTC) EVO 2, Ducati Wheelie Control (DWC) EVO, Engine Brake Control (EBC) EVO, Auto tyre calibration

Standard equipment

Ducati Quick Shift (DQS) up/down EVO 2, Full LED lighting with Daytime Running Light (DRL), Sachs steering damper, Auto-off indicators

Ready for

Ducati Data Analyser+ (DDA+) with GPS module, Ducati Multimedia System (DMS) and anti-theft

Warranty

Warranty (months) 24 months unlimited mileage

Maintenance (km/months) 12,000 km (7,500 m)/12 months

Controllo gioco valvole (km) 24,000 km (15,000 m)

Emissions and Consumptions

Standard Euro 5* - Emissions CO2 = 139 g/km - Consumptions 6,0 l/100km

* Only for countries where Euro 5 standard applies



** equal to 18,000 miles.

Kilometres refer to the first Desmo Service, i.e. when the valve clearance is checked and adjusted if necessary.

PANIGALE V2



	Panigale V2	Panigale V2 Bayliss 1 ST Championship 20 TH Anniversary
Machined from solid steering head with bike name and progressive number	-	✓
Seat in technical fabric	-	✓
Carbon fibre silencer outlet cover	-	✓
Sports hand grips	-	✓
Single-seater configuration*	-	✓
Front suspension	Fully adjustable 43 mm USD Showa BPF fork in chrome-plated steel	Fully adjustable 43 mm USD Öhlins NIX30 fork with TiN treatment
Rear suspension	Fully adjustable Sachs shock	Fully adjustable Öhlins TTX36 shock
Steering damper	Sachs	Adjustable Öhlins
Lithium battery	-	✓
Dry weight	176 kg (388 lb)	174,5 kg (385 lb)
Kerb weight	200 kg (441 lb)	197 kg (434 lb)

*: The bike is homologated as a two-seater; passenger seat and footpegs are included.



1 Öhlins shock



2 Adjustable Öhlins steering damper



3 Seat in technical fabric