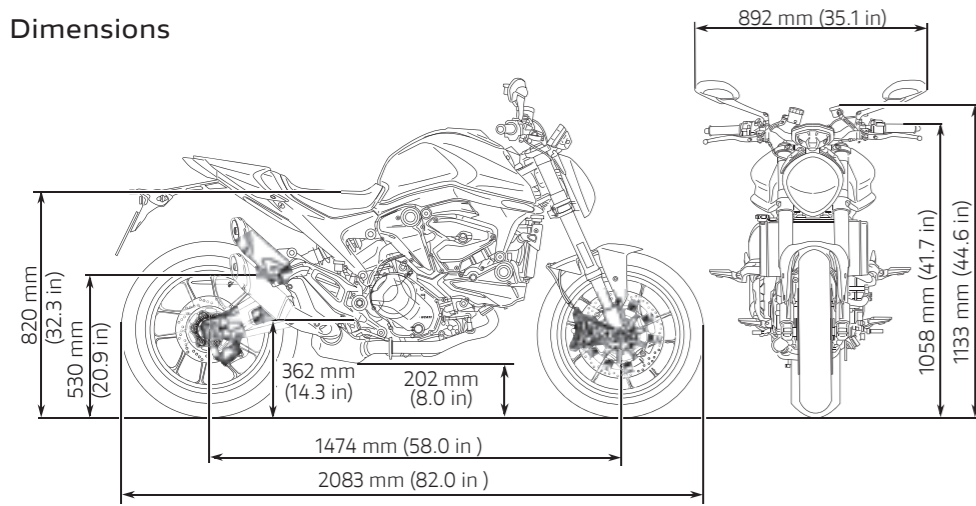
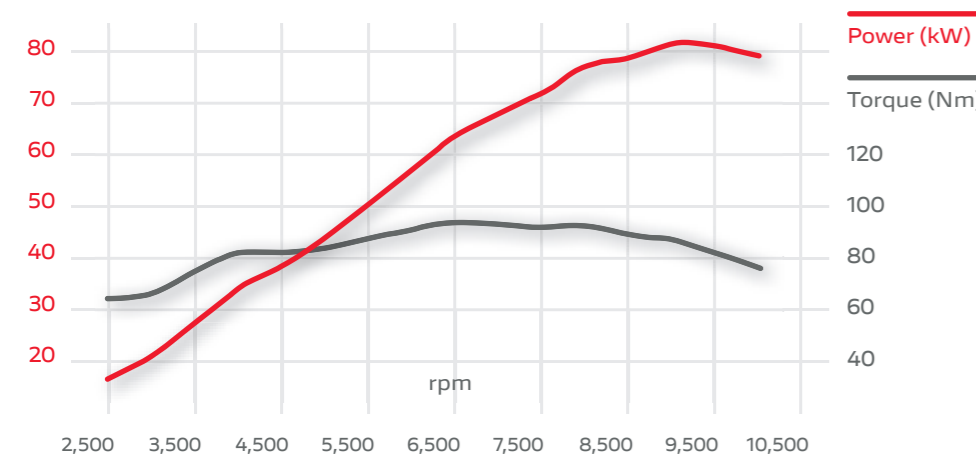


MONSTER

Dimensions



Power and torque



Engine	
Engine	Testatretta 11°, V2 - 90°, 4 valves per cylinder, desmodromic valvetrain, liquid cooled
Displacement	937 cc (57 cu in)
Bore X stroke	94 mm x 67.5 mm
Compression ratio	13.3:1
Power	111 hp (82 kW) @ 9,250 rpm
Torque	9.5 kgm (93 Nm, 69 lb ft) @ 6,500 rpm
Fuel injection	Electronic fuel injection system, Ø 53 mm throttle bodies with Ride-by-Wire system
Exhaust	Pre-muffler and twin muffler, catalytic converter and 2 lambda probes
Transmission	
Gearbox	6 speed
Primary drive	Straight cut gears, ratio 1.85:1
Ratio	1=37/15, 2=30/17, 3=28/20, 4=26/22, 5=24/23, 6=23/24
Final drive	Chain, front sprocket z15, rear sprocket z43
Clutch	Slipper and self-servo multiplate wet clutch with hydraulic control

Chassis	
Frame	Aluminum alloy Front Frame
Front suspension	Ø 43 mm usd fork
Front wheel	Light alloy cast, 3.5" x 17"
Front tyre	Pirelli Diablo Rosso III 120/70 ZR17
Rear Suspension	Progressive linkage, preload adjustable monoshock, aluminium double-sided swingarm
Rear Wheel	Light alloy cast, 5.5" x 17"
Rear tyre	Pirelli Diablo Rosso III 180/55 ZR17
Wheel travel (front/rear)	130 mm / 140 mm (5.1 in / 5.5 in)
Front brake	2 x Ø 320 mm semi-floating discs, radially mounted Brembo M4.32 monobloc 4-piston callipers, radial master cylinder, Cornering ABS
Rear brake	Ø 245 mm disc, Brembo 2-piston floating calliper, Cornering ABS
Instrumentation	4.3" TFT colour display
Dimensions and weights	
Dry weight	166 kg (366 lb)

Kerb weight	188 kg (414 lb)
Seat height	820 mm (32.3 in) 800 mm (31.5 in) (accessory low seat) 775 mm (30.5 in) (accessory low seat + low suspension kit)
Wheelbase	1,474 mm (58.0 in)
Rake	24°
Front wheel trail	93 mm (3.7 in)
Fuel tank capacity	14 l (3.7 US gal)
Number of seats	2
Safety equipment	
Riding Modes, Power Modes, Cornering ABS, Ducati Traction Control, Ducati Wheelie Control, Daytime Running Light**	
Standard equipment	
Ducati Quick Shift, Ducati Power Launch, 4.3" TFT colour display, Full LED headlight and lighting system, Dynamic turn indicators**, USB power socket, Flyscreen (Plus version), Passenger seat cover (Plus version)	
Ready for	
Ducati Multimedia System, Heated grips	

Warranty	
Warranty	24 months, unlimited mileage
Maintenance	
Oil change	15,000 km (9,000 miles) / 24 months
Valve clearance check	30,000 km (18,000 miles)
Emission & Consumptions (only for countries where Euro 5 standard applies)	
Standard	Euro 5
Emission CO₂	120 g/km
Consumptions	5.2 l/100 km



*Equal to 18,000 miles

Indication of mileage at the first Desmo Service, or rather the first service during which valve clearance is checked and adjusted if necessary.

The Monster is also available for holders of limited driving license in a version with reduced power to 35 kW. Contact your dealer to check availability.

** Please check with your dealer feature availability.

MONSTER

Ducati Red
with black wheels



Aviator Grey
with GP Red wheels



Dark Stealth
with black wheels



MONSTER⁺

Ducati Red
with black wheels



Aviator Grey
with GP Red wheels



Dark Stealth
with black wheels



MONSTER SP

SP livery



	Monster and Monster*	Monster SP
Front suspension	Ø 43 mm usd fork	Fully adjustable Öhlins NIX 30 Ø 43 mm usd front fork with TiN treatment on inner tube
Rear Suspension	Progressive linkage, preload adjustable monoshock, aluminium double-sided swingarm	Progressive linkage, fully adjustable Öhlins monoshock, aluminium double-sided swingarm
Wheel travel (front/rear)	130 mm / 140 mm (5.1 in / 5.5 in)	140 mm / 150 mm (5.5 in / 5.9 in)
Tyre	Pirelli Diablo Rosso III	Pirelli Diablo Rosso IV
Seat height	820 mm (32.3 in) 800 mm (31.5 in) (low seat accessory) 775 mm (30.5 in) (low seat accessory + low suspension kit)	840 mm (33.1 in) 850 mm (33.5 in) (high seat accessory) 810 mm (31.9 in) (low seat accessory)
Steering damper	○	●
Termignoni silencer	○	●
Lithium-ion battery	Unavailable	●
Front brake calipers	Brembo M4.32	Brembo Stylema®
Aluminium disc flanges	Unavailable	●
Dry weight	166 kg (366 lb)	166 kg (366 lb)
Kerb weight *	188 kg (414 lb)	186 kg (410 lb)



1 Lithium-ion battery



2 Pre-muffler and Termignoni type approved twin muffler, catalytic converter and 2 lambda probes



3 Radially mounted Brembo Stylema® monobloc 4-piston callipers